

How to install one of your new pre-hung Dutch Doors

STEP1: This installation will require 2 people who can handle 100 - 150 lbs. Remove the Dutch Door off the skid and place into the level and plumb rough opening. As you prepare to fasten the Dutch Door, make sure the door is pushed all the way into the rough opening until jamb is against the building.

STEP2: Confirm the door is level and in the correct location, identify the side of the door with the hinges, and starting on the inside of the building, using Item 3 (2" Wood Screws) begin to fasten. Then move over to the unhinged side and fasten there as well. When you have a couple screws holding each side in place, the person on the outside can start fastening the exterior.

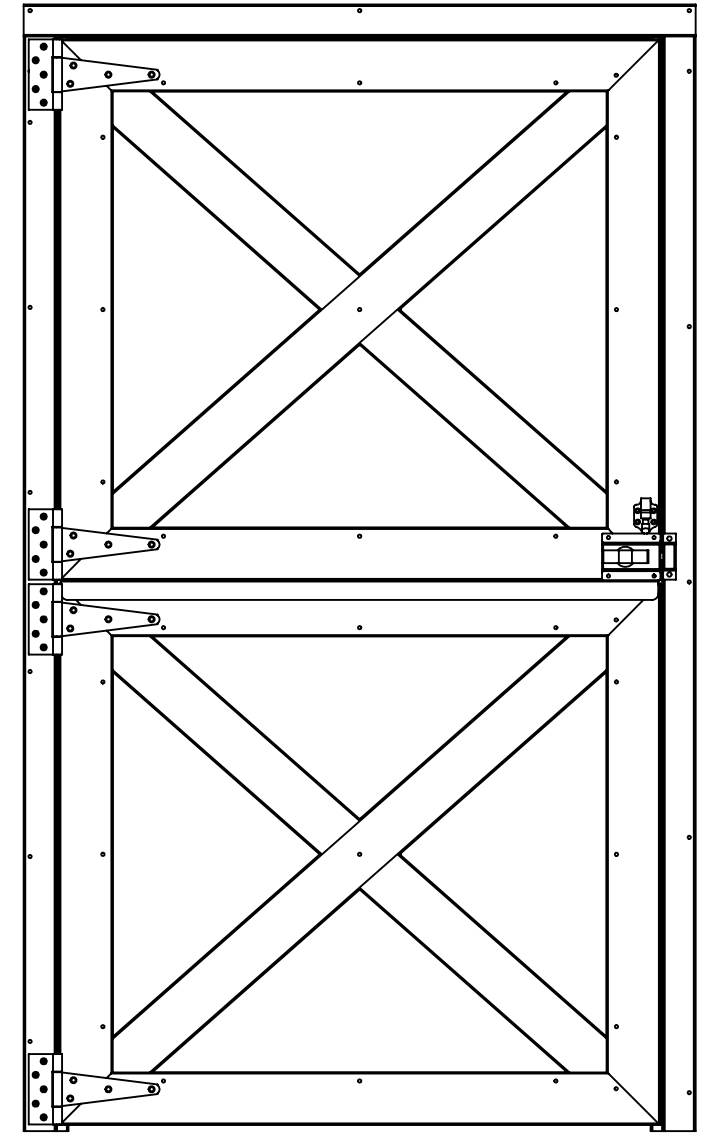
STEP3: Remove shipping brackets from the inside of the door. Install all screws that were removed in the process of taking off the shipping brackets. The door will now open freely.

STEP4: Install D-Handle in predrilled holes.

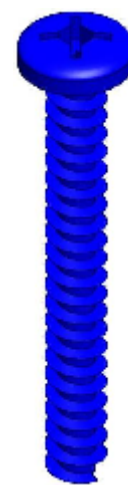
STEP5: Install Item (Door Holder) as shown. (This is to hold top panel in the open position. The placement is adjustable to customer preference.)

STEP6: You have now completed the installation of one of our pre-hung Dutch Doors. If you need further assistance, please don't hesitate to reach out to us. 434.933.8939

ITEM NO.	DESCRIPTION	QTY
1	Pre-Assembled Dutch Door	1
2	Door Holder	1
3	2" Wood Screw	29
4	D-Handle	1



ITEM 3



PROPRIETARY AND CONFIDENTIAL
 THE INFORMATION CONTAINED IN THIS DRAWING IS THE SOLE PROPERTY OF STALLWORKS. ANY REPRODUCTION IN PART OR AS A WHOLE WITHOUT THE WRITTEN PERMISSION OF STALLWORKS IS PROHIBITED.

STALLWORKS, LLC
 9056 Oakville Rd.
 Gladstone, VA 24553

COMMENTS:

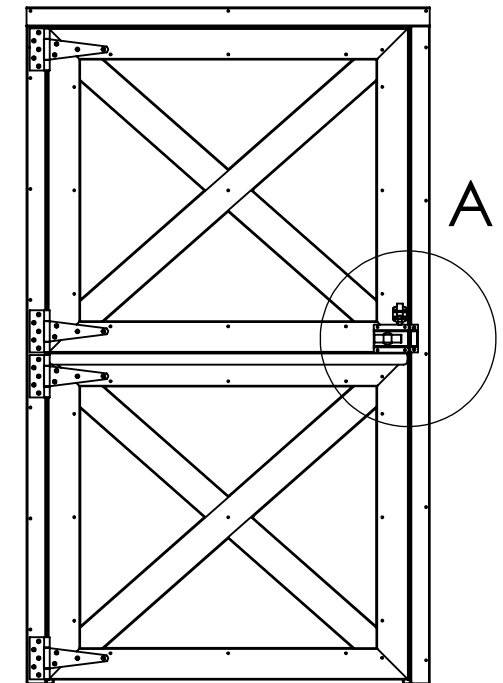
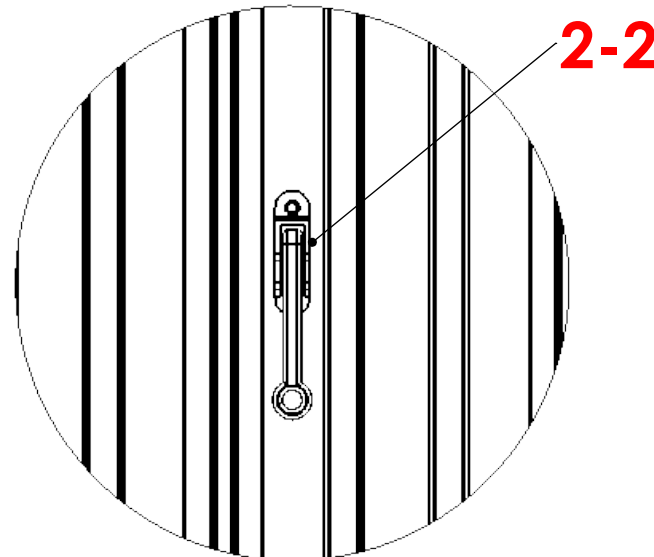
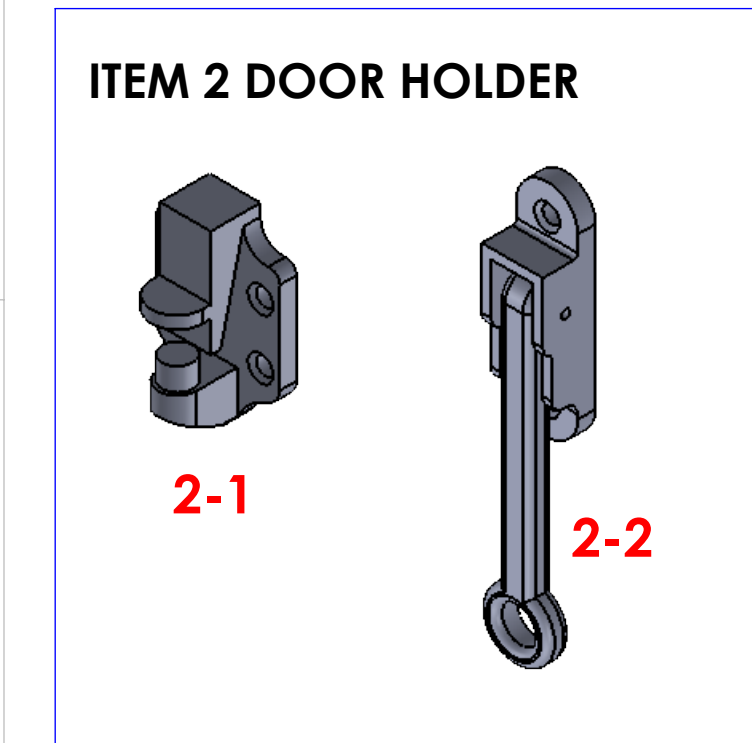
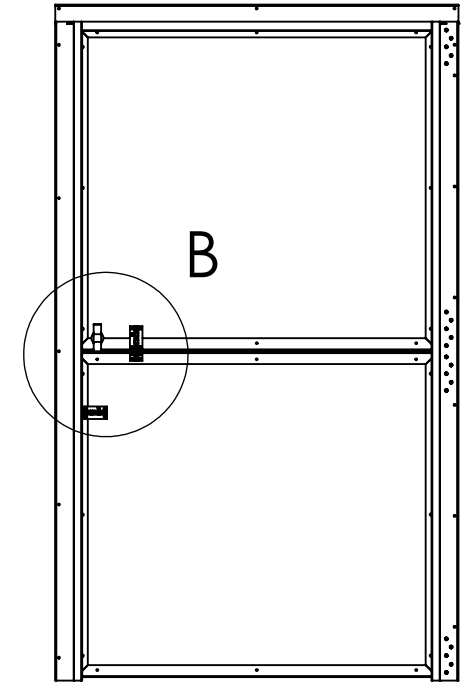
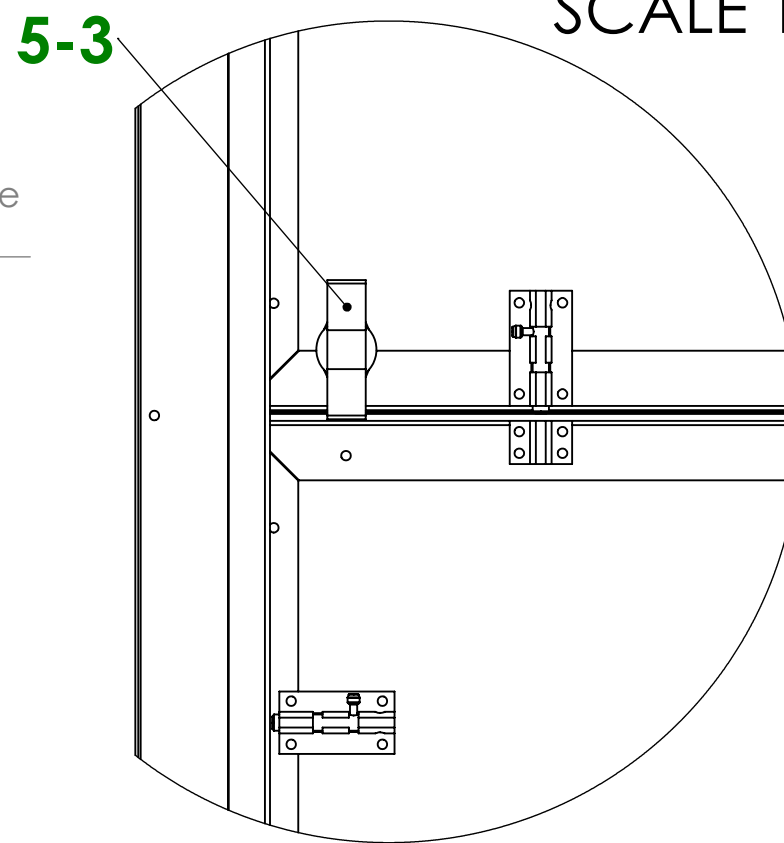
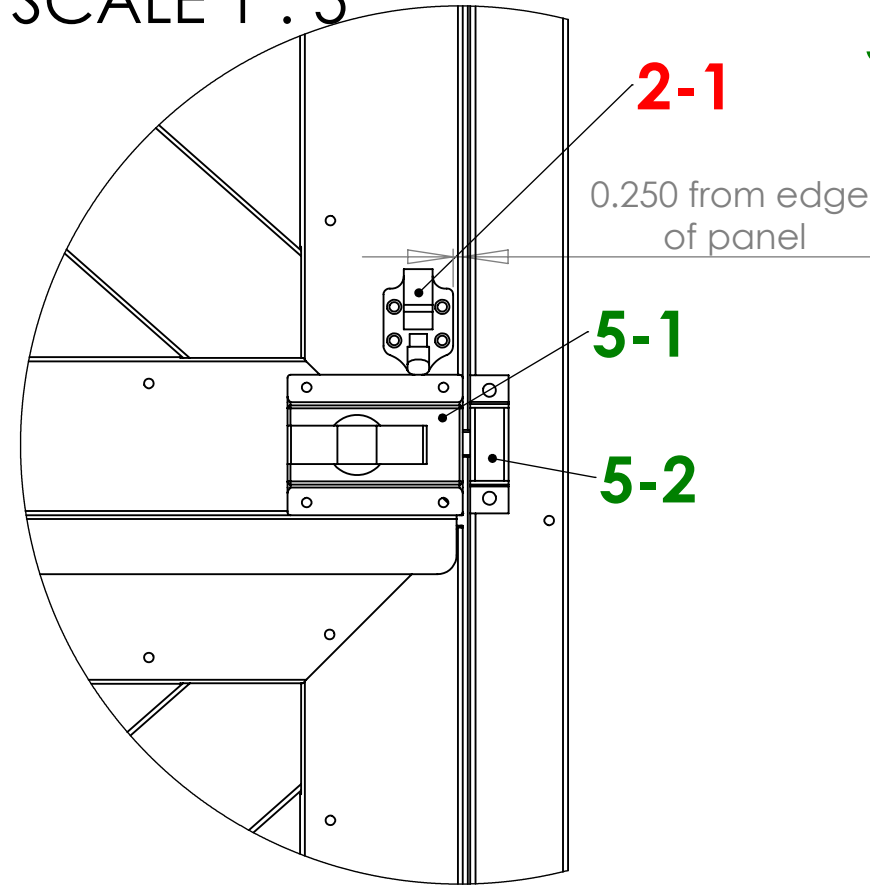
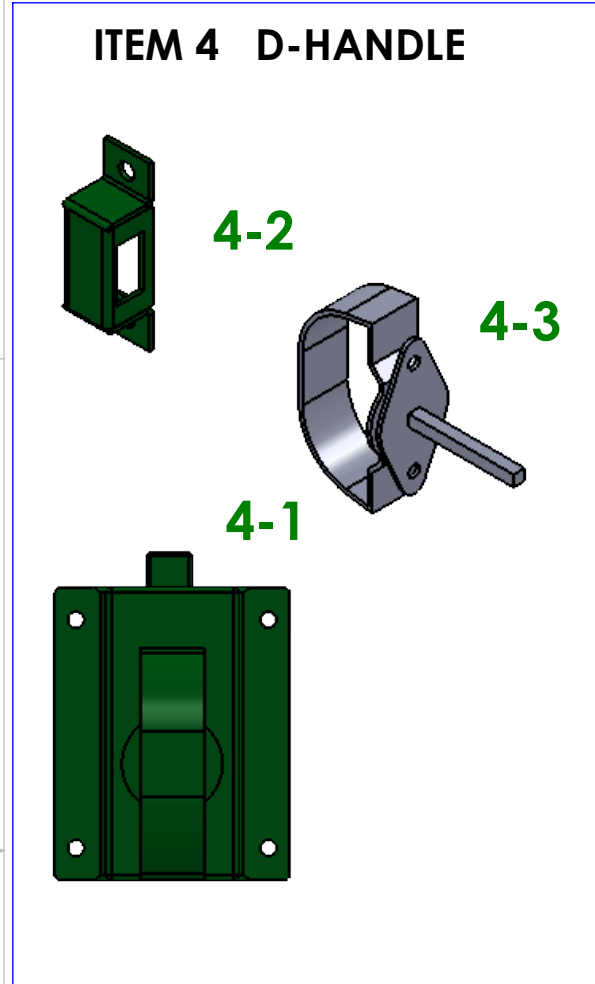
DO NOT SCALE DRAWING

TITLE:
2500 Series Installation Instructions

	NAME	DATE	SIZE	DWG. NO.	REV
DRAWN	CBM	1-3-13	B		G
CHECKED			SCALE: 1:12	WEIGHT:	SHEET 1 OF 2

DETAIL A
SCALE 1 : 5

DETAIL B
SCALE 1 : 5



PROPRIETARY AND CONFIDENTIAL
THE INFORMATION CONTAINED IN THIS DRAWING IS THE SOLE PROPERTY OF STALLWORKS. ANY REPRODUCTION IN PART OR AS A WHOLE WITHOUT THE WRITTEN PERMISSION OF STALLWORKS IS PROHIBITED.

STALLWORKS, LLC
9056 Oakville Rd.
Gladstone, VA 24553

COMMENTS:

DO NOT SCALE DRAWING

TITLE:
2500 Series Installation Instructions

	NAME	DATE	SIZE	DWG. NO.	REV
DRAWN	CBM	1-3-13	B		G
CHECKED			SCALE: 1:25	WEIGHT:	SHEET 2 OF 2